

Product Overview

The NSI8100 devices are high reliability bidirectional isolators that are compatible with I²C interface. The NSI8100 devices are safety certified by UL1577 support several insulation withstand voltages (3.75kV_{rms}, 5kV_{rms}), while providing high electromagnetic immunity and low emissions at low power consumption. The I²C clock of the NSI8100 is up to 2MHz, and the common-mode transient immunity (CMTI) is up to 150kV/us. Wide supply voltage of the NSI8100 device support to connect with most digital interface directly, easy to do the level shift. High system level EMC performance enhance reliability and stability of use.

Key Features

- Up to 5000V_{rms} Insulation voltage
- I²C Clock rate: up to 2MHz
- Power supply voltage: 2.5V to 5.5V
- High CMTI: 150kV/us
- Chip level ESD: HBM: ±6kV
- High system level EMC performance:
 - Enhanced system level ESD, EFT, Surge immunity
- Low power consumption: 1.5mA/ch (1 Mbps)
- Operation temperature: -40°C~125°C
- RoHS-compliant packages:
 - SOP8
 - SOW16

Safety Regulatory Approvals

- UL recognition: up to 5000V_{rms} for 1 minute per UL1577
- CQC certification per GB4943.1
- CSA component notice 5A
- DIN EN IEC 60747-17 (VDE 0884-17)

Applications

- Power over ethernet
- Isolated I²C, SMBus, or PMBus interface
- I²C level shifting
- Battery Management

Device Information

Part Number	Package	Body Size
NSI8100N	SOP8	4.90mm × 3.90mm
NSI8100W	SOW16	10.30mm × 7.50mm

Functional Block Diagrams

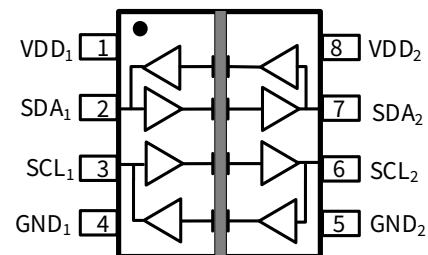


Figure 1. NSI8100N Block Diagram

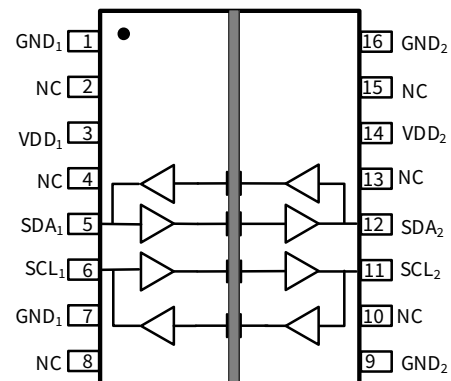


Figure 2. NSI8100W Block Diagram

INDEX

1. PACKAGE INFORMATION	3
2. ABSOLUTE MAXIMUM RATINGS	5
3. RECOMMENDED OPERATING CONDITIONS	5
4. THERMAL CHARACTERISTICS	5
5. SPECIFICATIONS	6
5.1. ELECTRICAL CHARACTERISTICS	6
5.2. TYPICAL PERFORMANCE CHARACTERISTICS.....	9
5.3. PARAMETER MEASUREMENT INFORMATION.....	10
6. HIGH VOLTAGE FEATURE DESCRIPTION	11
6.1. INSULATION AND SAFETY RELATED SPECIFICATIONS	11
6.2. SAFETY-LIMITING VALUES.....	12
6.3. REGULATORY INFORMATION	14
7. FUNCTION DESCRIPTION	14
8. APPLICATION NOTE	16
8.1. PCB LAYOUT.....	16
9. PACKAGE INFORMATION	17
10. ORDER INFORMATION	19
11. DOCUMENTATION SUPPORT	19
12. TAPE AND REEL INFORMATION	20
13. REVISION HISTORY	24

1. Package Information

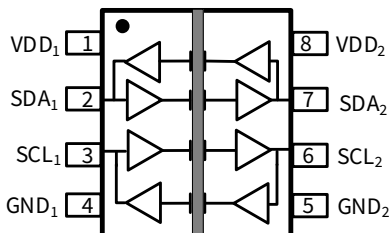


Figure 1.1 NSI8100N Package

Table1.1 NSI8100N Pin Configuration and Description

<i>NSI8100N PIN NO.</i>	<i>SYMBOL</i>	<i>FUNCTION</i>
1	VDD ₁	Power Supply for Isolator Side 1
2	SDA ₁	Serial data input /output, Side 1
3	SCL ₁	Serial clock input /output, Side 1
4	GND ₁	Ground 1, the ground reference for Isolator Side 1
5	GND ₂	Ground 2, the ground reference for Isolator Side 2
6	SCL ₂	Serial clock input /output, Side 2
7	SDA ₂	Serial data input /output, Side 2
8	VDD ₂	Power Supply for Isolator Side 2

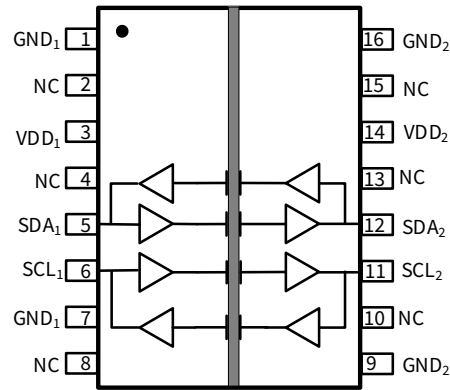


Figure 1.2 NSI8100W Package

Table 1.2 NSI8100W Pin Configuration and Description

NSI8100W PIN NO.	SYMBOL	FUNCTION
1	GND ₁	Ground 1, the ground reference for Isolator Side 1
2	NC	No Connection.
3	VDD ₁	Power Supply for Isolator Side 1
4	NC	No Connection.
5	SDA ₁	Serial data input /output, Side 1
6	SCL ₁	Serial clock input /output, Side 1
7	GND ₁	Ground 1, the ground reference for Isolator Side 1
8	NC	No Connection.
9	GND ₂	Ground 2, the ground reference for Isolator Side 2
10	NC	No Connection.
11	SCL ₂	Serial clock input /output, Side 2
12	SDA ₂	Serial data input /output, Side 2
13	NC	No Connection.
14	VDD ₂	Power Supply for Isolator Side 2
15	NC	No Connection.
16	GND ₂	Ground 2, the ground reference for Isolator Side 2

2. Absolute Maximum Ratings

Parameters	Symbol	Min	Typ	Max	Unit	Comments
Power Supply Voltage	VDD1, VDD2	-0.5		6.5	V	
Maximum Input Voltage	SDA ₁ , SDA ₂ , SCL ₁ , SCL ₂	-0.4		VDD+0.4 ¹	V	
Maximum Input Pulse Voltage	SDA ₁ , SDA ₂ , SCL ₁ , SCL ₂	-0.8		VDD+0.8	V	Pulse width should be less than 100ns, and the duty cycle should be less than 10%
Output current	I _o	-15		15	mA	
Operating Temperature	T _{opr}	-40		125	°C	
Junction Temperature	T _j			150	°C	
Storage Temperature	T _{stg}	-65		150	°C	
Electrostatic discharge	HBM			±6000	V	
	CDM			±2000	V	

3. Recommended Operating Conditions

Parameters	Symbol	min	typ	max	unit
Power Supply Voltage	VDD1, VDD2	2.5		5.5	V
Operating Temperature	T _{opr}	-40		125	°C
Side1 High Level Input Voltage	VIH1	0.6			V
Side1 Low Level Input Voltage	VIL1			0.4	V
Side2 High Level Input Voltage	VIH2	2			V
Side2 Low Level Input Voltage	VIL2			0.8	V
Data rate	DR	0		2	Mbps

4. Thermal Characteristics

Parameters	Symbol	SOW16	SOP8	Unit
IC Junction-to-Air Thermal Resistance	θ_{JA}	86.5	137.7	°C/W
Junction-to-case (top) thermal resistance	$\theta_{JC(top)}$	49.6	54.9	°C/W

Parameters	Symbol	SOW16	SOP8	Unit
Junction-to-board thermal resistance	θ_{JB}	49.7	71.7	°C/W

5. Specifications

5.1. Electrical Characteristics

(VDD1=2.5V~5.5V, VDD2=2.5V~5.5V, Ta=-40°C to 125°C. Unless otherwise noted, Typical values are at VDD1 = 5V, VDD2 = 5V, Ta = 25°C)

Parameters	Symbol	Min	Typ	Max	Unit	Comments
Power on Reset	VDD _{POR}		2.2		V	POR threshold as during power-up
	VDD _{HYS}		0.1		V	POR threshold Hysteresis
Start Up Time after POR	tr _{bs}		40		usec	
Common Mode Transient Immunity	CMTI	±100	±150		kV/us	See figure 5.8
Input leakage current	I _{LI}	-15		15	µA	V _{SDA1} =V _{SCL1} =VDD ₁ , V _{SDA2} =V _{SCL2} =VDD ₂
Side 1 Logic Level						
Input Threshold	V _{ILT1}	400			mV	Input Threshold at falling edge
	V _{IHT1}			600	mV	Input Threshold at rising edge
	V _{IT_HYS1}		100		mV	Input Threshold Hysteresis
Low Level Output Voltage	V _{OL1}	650		800	mV	I _{OL} ≤ 4mA, R _{PULLUP} =1K
Low-level output voltage to high-level input voltage threshold difference	ΔV _{OIT1}	70			mV	
Side 2 Logic Level						
High Level Input Voltage	V _{IH2}			2	V	
Low Level Input Voltage	V _{IL2}	0.8			V	
Low Level Output Voltage	V _{OL}			0.5	V	I _{OL} ≤ 30mA

(VDD1=5V± 10%, VDD2=5V± 10%, Ta=-40°C to 125°C. Unless otherwise noted, Typical values are at VDD1 = 5V, VDD2 = 5V, Ta = 25°C)

Parameters	Symbol	Min	Typ	Max	Unit	Comments
------------	--------	-----	-----	-----	------	----------

	$I_{DD1}(Q0)$		5.10	7.5	mA	All Input 0V
	$I_{DD2}(Q0)$		3.96	5.7	mA	
	$I_{DD1}(Q1)$		2.52	3.6	mA	All Input at supply
	$I_{DD2}(Q1)$		1.78	2.5	mA	
	$I_{DD1}(2M)$		3.83	5.7	mA	All Input with 2MHz, $C_L=15pF$
	$I_{DD2}(2M)$		2.78	4.2	mA	
Clock rate	DR	0		2	MHz	
Propagation Delay	t_{PLH12}		24.8	37.2	ns	See figure 5.7 , $R1=1500\Omega$, $R2=500\Omega$, NO LOAD
	t_{PHL12}		32.8	49.2	ns	See figure 5.7 , $R1=1500\Omega$, $R2=500\Omega$, NO LOAD
	t_{PLH21}		24	36	ns	See figure 5.7 , $R1=1500\Omega$, $R2=500\Omega$, NO LOAD
	t_{PHL21}		38	57	ns	See figure 5.7 , $R1=1500\Omega$, $R2=500\Omega$, NO LOAD
Pulse Width Distortion	PWD_{12}		8	12	ns	$ t_{PHL12} - t_{PLH12} $
	PWD_{21}		14	21	ns	$ t_{PHL21} - t_{PLH21} $
Falling Time	t_{f1}		10.6	15.9	ns	$C_L = 30pF$
	t_{f2}		22.8	34.2	ns	$C_L = 300pF$

($V_{DD1}=3.3V \pm 10\%$, $V_{DD2}=3.3V \pm 10\%$, $T_a=-40^\circ C$ to $125^\circ C$. Unless otherwise noted, Typical values are at $V_{DD1} = 3.3V$, $V_{DD2} = 3.3V$, $T_a = 25^\circ C$)

Parameters	Symbol	Min	Typ	Max	Unit	Comments
	$I_{DD1}(Q0)$		4.96	7.4	mA	All Input 0V
	$I_{DD2}(Q0)$		3.85	5.6	mA	
	$I_{DD1}(Q1)$		2.40	3.5	mA	All Input at supply
	$I_{DD2}(Q1)$		1.68	2.4	mA	
	$I_{DD1}(2M)$		3.69	5.6	mA	All Input with 2MHz, $C_L=15pF$
	$I_{DD2}(2M)$		2.67	4.2	mA	
Clock rate	DR	0		2	MHz	
Propagation Delay	t_{PLH12}		29	43.5	ns	See figure 5.7 , $R1=1500\Omega$, $R2=500\Omega$, NO LOAD

	t_{PHL12}		39.8	59.7	ns	See figure 5.7 , R1=1500Ω, R2=500Ω, NO LOAD
	t_{PLH21}		30	45	ns	See figure 5.7 , R1=1500Ω, R2=500Ω, NO LOAD
	t_{PHL21}		61	91.5	ns	See figure 5.7 , R1=1500Ω, R2=500Ω, NO LOAD
Pulse Width Distortion	PWD ₁₂		10.8	16.2	ns	$ t_{PHL12} - t_{PLH12} $
	PWD ₂₁		31	46.5	ns	$ t_{PHL21} - t_{PLH21} $
Falling Time	t_{f1}		15.6	23.4	ns	$C_L = 30pF$
	t_{f2}		32	48	ns	$C_L = 300pF$

(VDD1=2.5V± 10%, VDD2=2.5V± 10%, Ta=-40°C to 125°C. Unless otherwise noted, Typical values are at VDD1 = 2.5V, VDD2 = 2.5V, Ta = 25°C)

Parameters	Symbol	Min	Typ	Max	Unit	Comments
	I _{DD1} (Q0)		4.89	7.3	mA	All Input 0V
	I _{DD2} (Q0)		3.79	5.5	mA	
	I _{DD1} (Q1)		2.34	3.4	mA	All Input at supply
	I _{DD2} (Q1)		1.63	2.3	mA	
	I _{DD1} (2M)		3.61	5.4	mA	All Input with 2MHz, C _L =15pF
	I _{DD2} (2M)		2.59	4	mA	
Clock rate	DR	0		2	MHz	
Propagation Delay	t_{PLH12}		33	49.5	ns	See figure 5.7 , R1=1500Ω, R2=500Ω, NO LOAD
	t_{PHL12}		52	78	ns	See figure 5.7 , R1=1500Ω, R2=500Ω, NO LOAD
	t_{PLH21}		47	70.5	ns	See figure 5.7 , R1=1500Ω, R2=500Ω, NO LOAD
	t_{PHL21}		100	150	ns	See figure 5.7 , R1=1500Ω, R2=500Ω, NO LOAD
Pulse Width Distortion	PWD ₁₂		19	28.5	ns	$ t_{PHL12} - t_{PLH12} $
	PWD ₂₁		53	79.5	ns	$ t_{PHL21} - t_{PLH21} $
Falling Time	t_{f1}		22	33	ns	$C_L = 30pF$
	t_{f2}		36	54	ns	$C_L = 300pF$

5.2. Typical Performance Characteristics

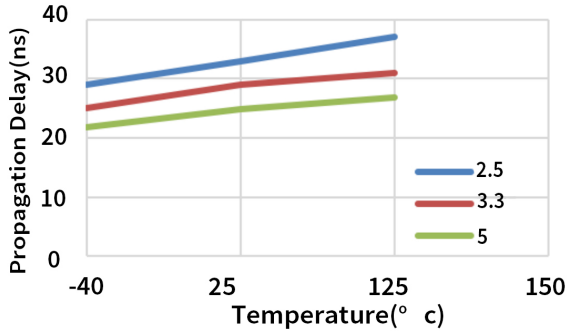


Figure 5.1 Side1 to Side2 Rising Edge Propagation Delay Vs Temp

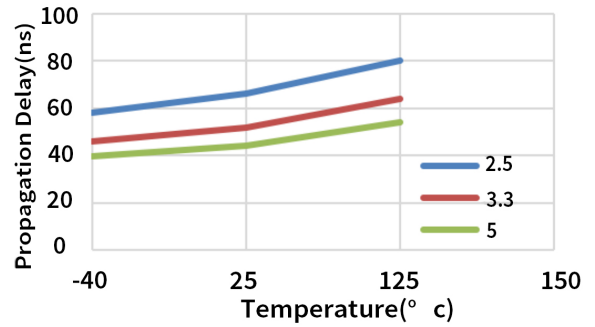


Figure 5.2 Side1 to Side2 Falling Edge Propagation Delay Vs Temp

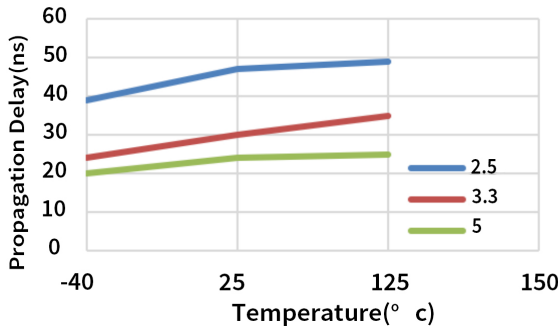


Figure 5.3 Side2 to Side1 Rising Edge Propagation Delay Vs Temp

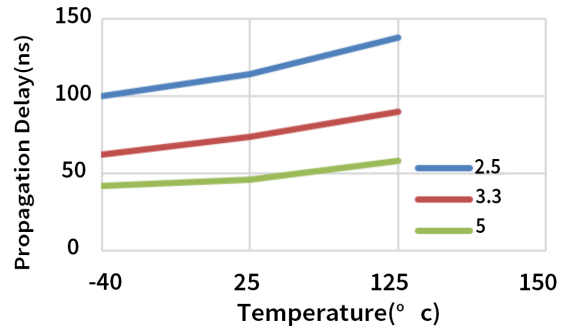


Figure 5.4 Side2 to Side1 Falling Edge Propagation Delay Vs Temp

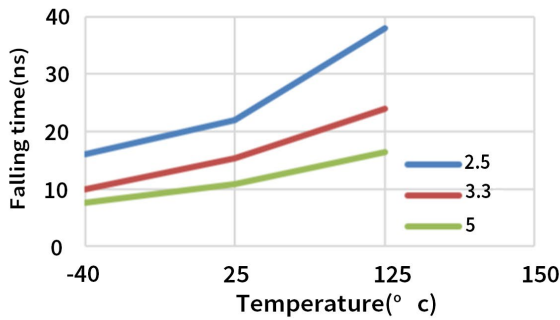


Figure 5.5 Falling time(@27pF) Vs Temp

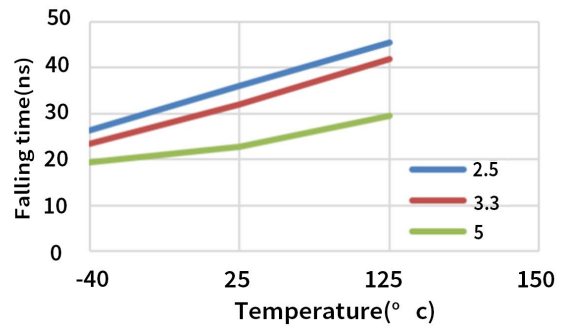


Figure 5.6 Falling time(@300pF) Vs Temp

5.3. Parameter Measurement Information

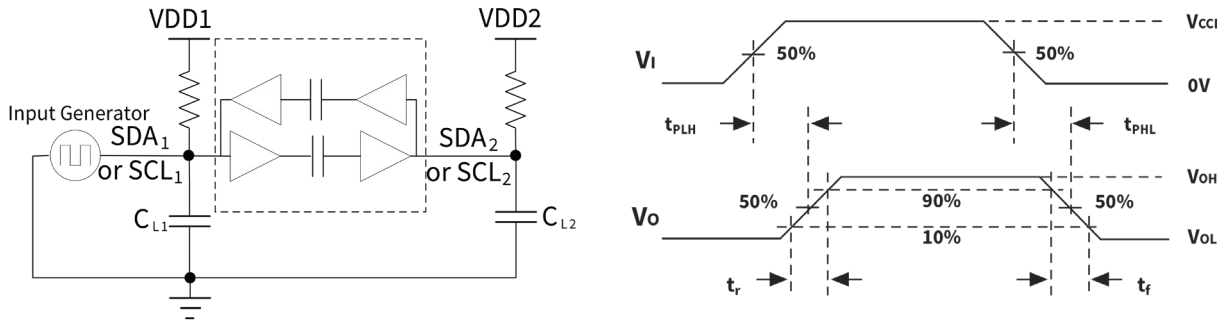


Figure 5.7 Switching Characteristic Test Circuit and Voltage Waveforms

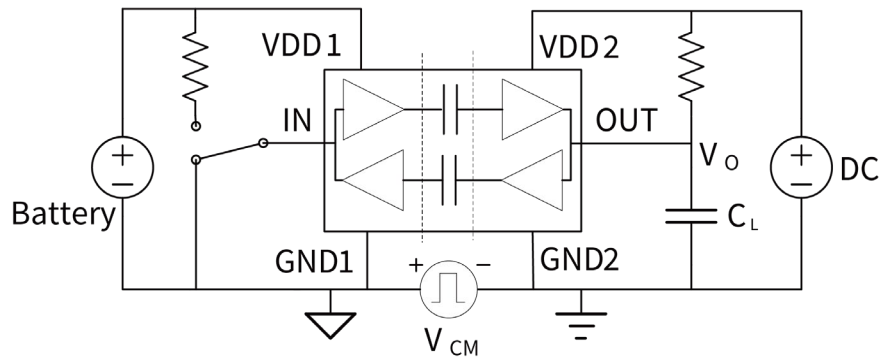


Figure 5.8 Common-Mode Transient Immunity Test Circuit

6. High Voltage Feature Description

6.1. Insulation and Safety Related Specifications

Parameters	Symbol	Value		Unit	Comments
		SOP8	SOW16		
Minimum External Clearance	CLR	4.0	8.0	mm	IEC 60664-1:2007
Minimum External Creepage	CPG	4.0	8.0	mm	IEC 60664-1:2007
Distance Through Insulation	DTI	16		um	
Tracking Resistance (Comparative Tracking Index)	CTI	>600	>600	V	DIN EN 60112 (VDE 0303-11); IEC 60112
Material Group		I	I		IEC 60664-1

Description	Test Condition	Value	
		SOP8	SOW16
Overvoltage Category per IEC60664-1	For Rated Mains Voltage $\leq 150\text{Vrms}$	I to IV	I to IV
	For Rated Mains Voltage $\leq 300\text{Vrms}$	I to III	I to IV
	For Rated Mains Voltage $\leq 600\text{Vrms}$	I to II	I to III
	For Rated Mains Voltage $\leq 1000\text{Vrms}$	I	I to II
Climatic Classification		40/125/21	
Pollution Degree per DIN VDE 0110,		2	

6.2. Insulation Characteristics

Description	Test Condition	Symbol	Value		Unit
Maximum repetitive isolation voltage		V_{IORM}	565	1131	Vpeak
Maximum Working Isolation Voltage	AC voltage	V_{IOWM}	400	800	Vrms
	DC voltage		565	1131	Vpeak
Apparent Charge	Method a, after Input/output safety test subgroup 2/3, $V_{ini}=V_{IOTM}$, $t_{ini}=60\text{ s}$, $V_{pd(m)}=1.2*V_{IORM}$, $t_m=10\text{ s}$.	q_{pd}	<5	<5	pC
	Method a, after environmental tests subgroup 1, $V_{ini}=V_{IOTM}$,				

Description	Test Condition	Symbol	Value	Unit	
	$t_{ini}=60s, V_{pd(m)}=1.3 \cdot V_{IORM}, t_m=10s$ Method b, routine test (100% production) and preconditioning (type test); $V_{ini}=1.2 \cdot V_{IOTM}, t_{ini}=1s$ $V_{pd(m)}=1.5 \cdot V_{IORM}, t_m=1s$ (method b1) or $V_{pd(m)}=V_{ini}, t_m=t_{ini}$ (method b2)				
Maximum transient isolation voltage	$t = 60 \text{ sec}$	V_{IOTM}	5300	7000	Vpeak
Maximum impulse voltage	Tested in air, 1.2/50-us waveform per IEC62368-1	V_{IMP}	5384	5384	Vpeak
Maximum Surge Isolation Voltage	Test method per IEC60065, 1.2/50us waveform, $V_{IOSM} \geq V_{IMP} \times 1.3$	V_{IOSM}	7000	7000	Vpeak
Isolation resistance	$V_{IO} = 500V, T_{amb}=25^\circ C$	R_{IO}	$>10^{12}$	$>10^{12}$	Ω
	$V_{IO} = 500V, 100^\circ C \leq T_{amb} \leq 125^\circ C$		$>10^{11}$	$>10^{11}$	Ω
	$V_{IO} = 500V, T_{amb}=T_s$		$>10^9$	$>10^9$	Ω
Isolation capacitance	$f = 1MHz$	C_{IO}	0.6	0.6	pF
Insulation Specification per UL1577					
Withstand Isolation Voltage	$V_{TEST} = V_{ISO}, t = 60 \text{ s}$ (qualification), $V_{TEST} = 1.2 \times V_{ISO}, t = 1 \text{ s}$ (100% production test)	V_{ISO}	3750	5000	V_{rms}

6.3. Safety-Limiting Values

Basic isolation safety-limiting values as outlined in VDE-0884-11 of NSI8100N(SOP8)

Description	Test Condition	Value	Unit
Safety Supply Power	$R_{\theta JA} = 137.7^\circ C/W^{1)}, T_J = 150^\circ C, T_A = 25^\circ C$	907	mW
Safety Supply Current	$R_{\theta JA} = 137.7^\circ C/W^{1)}, V_I = 5V, T_J = 150^\circ C, T_A = 25^\circ C$	181	mA
Safety Temperature ²⁾		150	$^\circ C$

- 1) Calculate with the junction-to-air thermal resistance, $R_{\theta JA}$, of SOP8 package ([Thermal Information Table](#)) which is that of a device installed on a low effective thermal conductivity test board (1s) according to JESD51-3.
- 2) The maximum safety temperature has the same value as the maximum junction temperature (T_J) specified for the device.

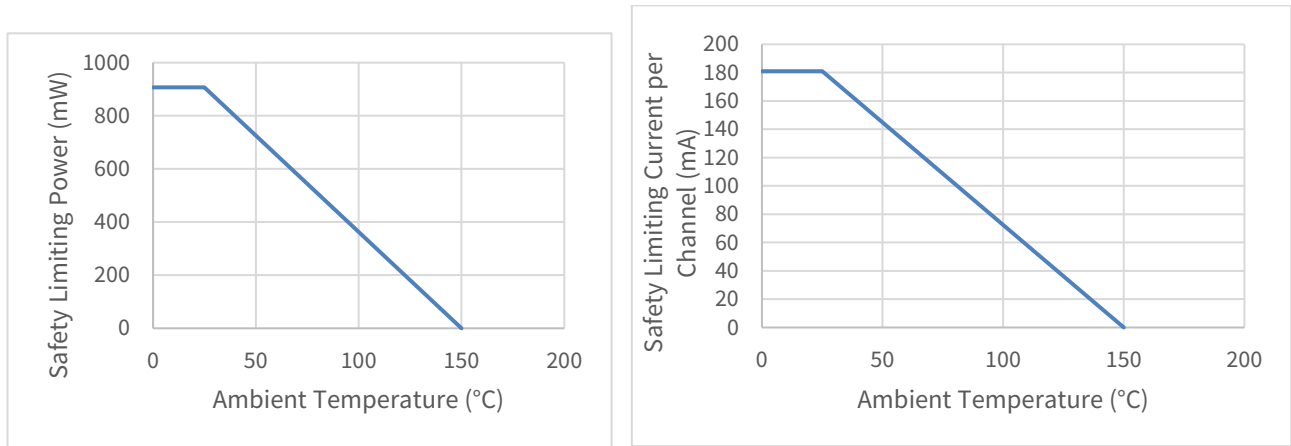


Figure 6.1 NSI8100N Thermal Derating Curve, Dependence of Safety Limiting Values with Case Temperature per DIN VDE V 0884-11

Basic isolation safety-limiting values as outlined in VDE-0884-11 of NSI8100W(SOW16)

Description	Test Condition	Value	Unit
Safety Supply Power	$R_{\theta JA} = 86.5^{\circ}\text{C}/\text{W}^{1)}$, $T_J = 150^{\circ}\text{C}$, $T_A = 25^{\circ}\text{C}$	1445	mW
Safety Supply Current	$R_{\theta JA} = 86.5^{\circ}\text{C}/\text{W}^{1)}$, $V_I = 5\text{V}$, $T_J = 150^{\circ}\text{C}$, $T_A = 25^{\circ}\text{C}$	289	mA
Safety Temperature ²⁾		150	$^{\circ}\text{C}$

- 1) Calculate with the junction-to-air thermal resistance, $R_{\theta JA}$, of SOW16 package ([Thermal Information Table](#)) which is that of a device installed on a low effective thermal conductivity test board (1s) according to JESD51-3.
- 2) The maximum safety temperature has the same value as the maximum junction temperature (T_J) specified for the device.

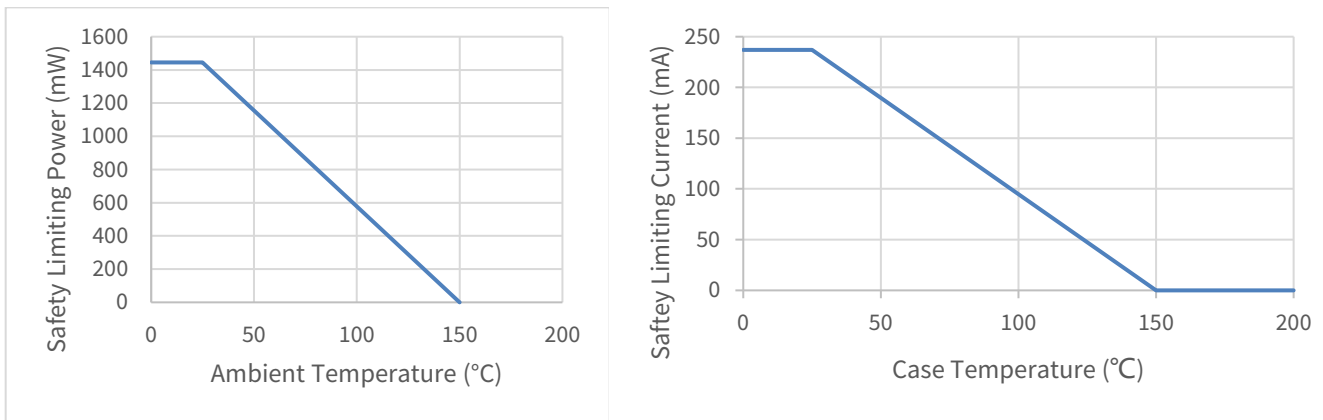


Figure 6.2 NSI8100W Thermal Derating Curve, Dependence of Safety Limiting Values with Case Temperature per DIN VDE V 0884-11

6.4. Regulatory Information

The NSI8100N are approved by the organizations listed in table.

CUL		VDE	CQC	TUV
UL 1577 Component Recognition Program	Approved under CSA Component Acceptance Notice 5A	DIN EN IEC 60747-17 (VDE 0884-17)	Certified according to GB4943.1	Certified According to EN IEC 62368-1
Single Protection, 3750V _{rms} Isolation voltage	Single Protection, 3750V _{rms} Isolation voltage	Basic Insulation V _{IORM} =565V _{peak} V _{IOTM} =5300V _{peak} V _{IOSM} =7000V _{peak}	Basic insulation	3000V _{rms} for 1min
File (E500602)	File (E500602)	File (40050121)	File (CQC19001233074)	R50574061

The NSI8100W are approved by the organizations listed in table.

CUL		VDE	CQC	TUV
UL 1577 Component Recognition Program	Approved under CSA Component Acceptance Notice 5A	DIN EN IEC 60747-17 (VDE 0884-17)	Certified according to GB4943.1	Certified According to EN IEC 62368-1
Single Protection, 5000V _{rms} Isolation voltage	Single Protection, 5000V _{rms} Isolation voltage	Basic Insulation V _{IORM} =1131V _{peak} V _{IOTM} =7000V _{peak} V _{IOSM} =7000V _{peak}	Basic insulation	5000V _{rms} for 1min
File (E500602)	File (E500602)	File (40050121)	File (CQC19001233077)	R50574061

7. Function Description

The NSI8100 is a bidirectional isolator based on a capacitive isolation barrier technique. The NSI8100 devices are compatible with I²C interface. Internally, the I²C interface is split into two unidirectional channels communicating in opposing directions via a dedicate capacitive isolation channel for each. The digital signal is modulated with RF carrier generated by the internal oscillator at the Transmitter side. Then it is transferred through the capacitive isolation barrier and demodulated at the Receiver side.

The NSI8100 devices are high reliability dual-channel bidirectional isolators for clock and data lines. The NSI8100 is suitable for multi-master application.

The Side 2 logic levels of NSI8100 are standard I²C value, and the maximum load for side 2 is ≤ 400pF. So multiple NSI8100 devices connected to a bus by their Side 2 pins can communicate with each other and with other I²C compatible devices.

The Side 1 logic levels of NSI8100 are not standard value. The output low level of NSI8100 is 650mV, while low-level output voltage to high-level input voltage threshold is 50mV. This prevents an output logic low at Side 1 being transmitted back to Side 2 and pulling down the I²C bus.

The NSI8100 device is safety certified by UL1577 support several insulation withstand voltages (3.75kV_{rms}, 5kV_{rms}), while providing high electromagnetic immunity and low emissions at low power consumption. The I²C clock of the NSI8100 is up to 2MHz, and the common-mode transient immunity (CMTI) is up to 150kV/us. Wide supply voltage of the NSI8100 device support to connect with most digital interface directly, easy to do the level shift. High system level EMC performance enhance reliability and stability of use.

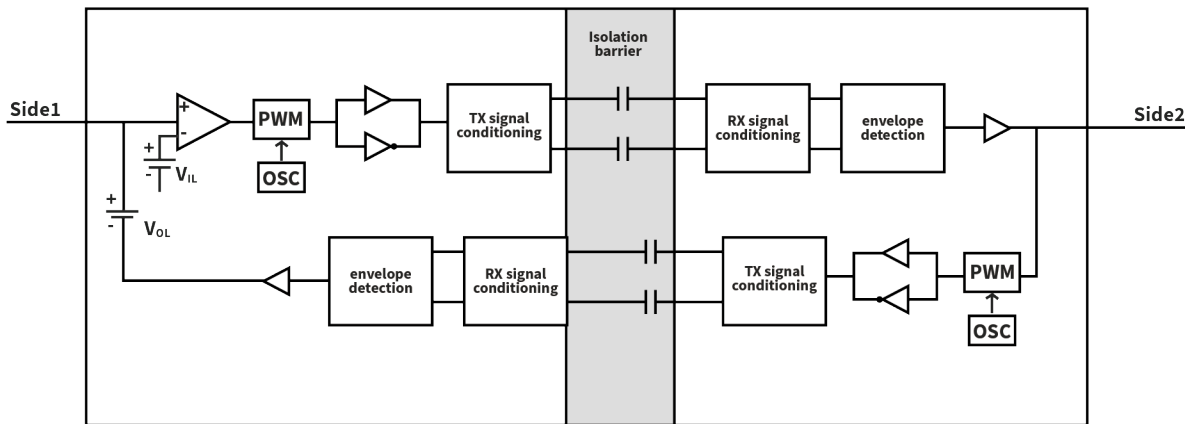


Figure 7.1 Simplified Channel Diagram

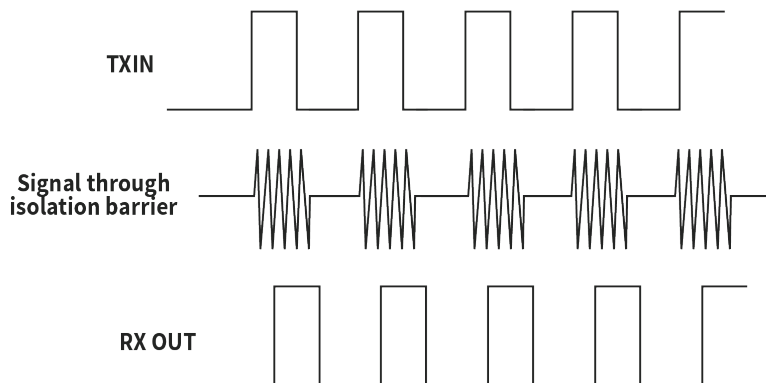


Figure 7.2 OOK Based Modulation Scheme

The Table 7.1 shows the functional of NSI8100. The NSI8100 is high impedance output when VDDIN is unready and VDDOUT is ready as shown in.

Table 7.1 Output status vs. power status

Input	VDD1 status	VDD2 status	Output	Comment
H	Ready	Ready	Z	Normal operation.
L	Ready	Ready	L	
X	Unready	Ready	Z	The output follows the same status with the input within 60us after input side VDD1 is powered on.
X	Ready	Unready	X	The output follows the same status with the input within 60us after output side VDD2 is powered on.

8. Application Note

8.1. PCB Layout

The NSI8100 requires a 0.1 μF bypass capacitor between VDD1 and GND1, VDD2 and GND2. The capacitor should be placed as close as possible to the package. Figure 8.1 to Figure 8.4 show the recommended PCB layout, make sure the space under the chip should keep free from planes, traces, pads and via. The pull-up resistors required for both Side 1 and Side 2 buses. And the value of the resistors depend on the number of I²C devices on the bus.

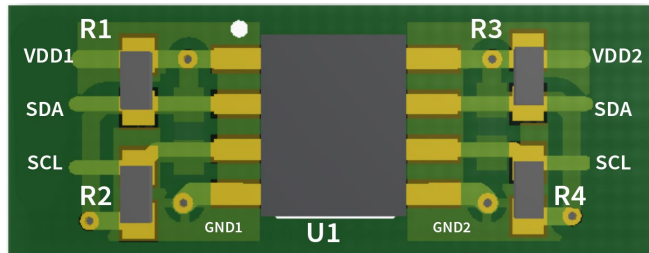


Figure8.1 Recommended PCB Layout — Top Layer



Figure8.2 Recommended PCB Layout — Bottom Layer

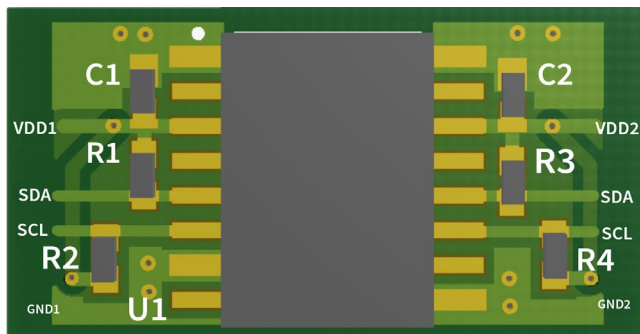
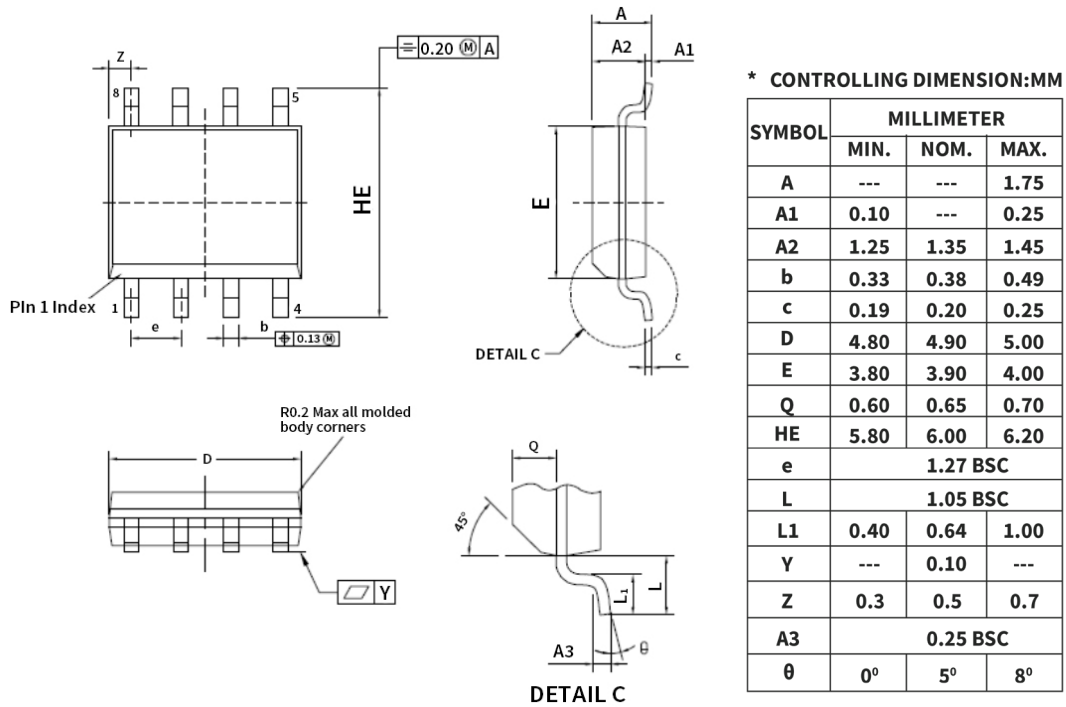


Figure8.3 Recommended PCB Layout — Top Layer



Figure8.4 Recommended PCB Layout — Bottom Layer

9. Package Information



NOTE: This dimension does not include mold flash, protrusions, or gate burrs. Mold flash, protrusions, or gate burrs shall not exceed 0.15 mm, per side.

Figure 9.1 SOP8 Package Shape and Dimension in millimeters

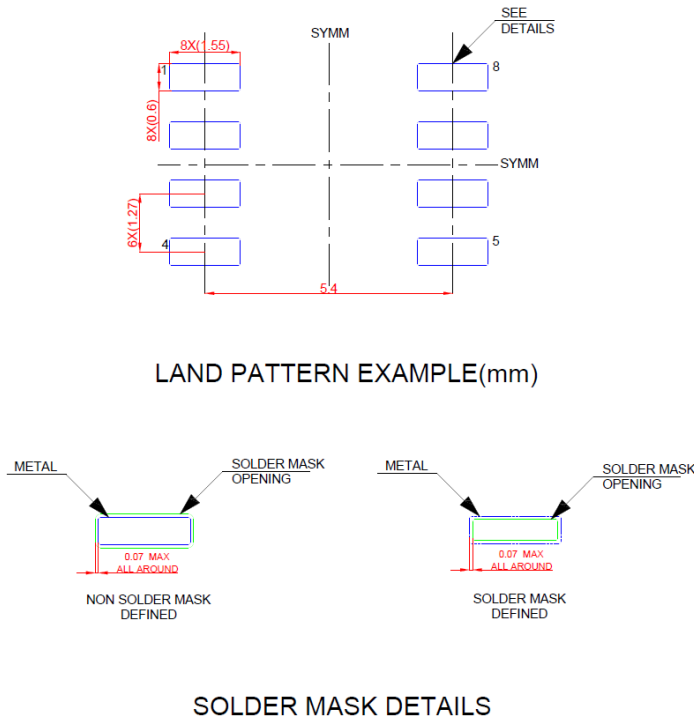
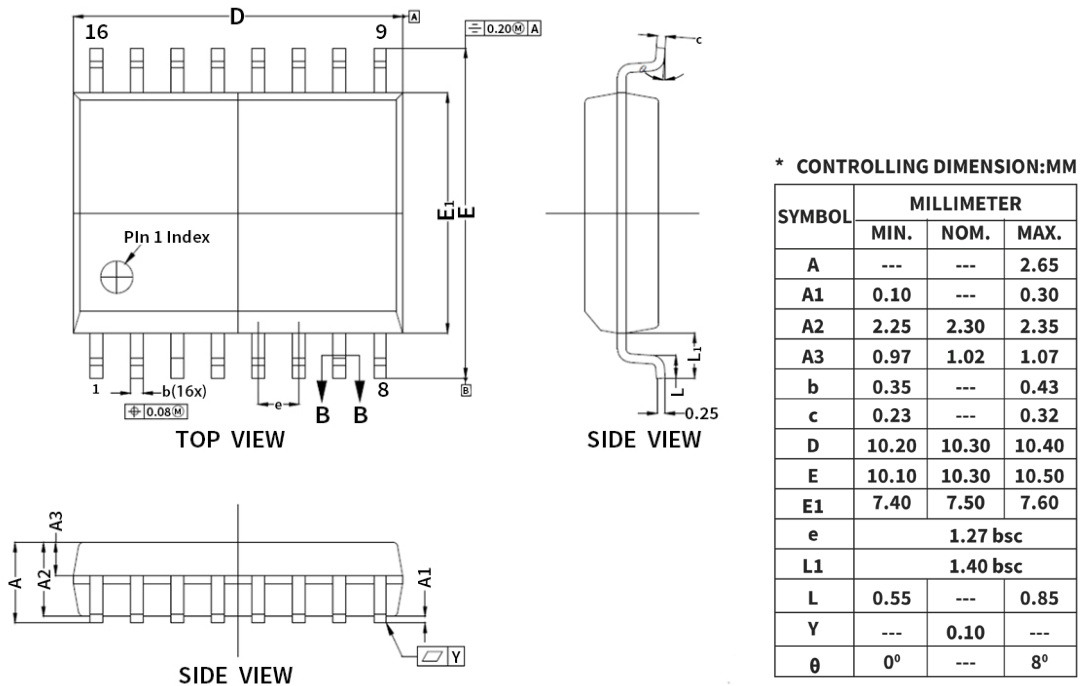


Figure 9.2 SOP8 Package Board Layout Example



NOTE: This dimension does not include mold flash, protrusions, or gate burrs. Mold flash, protrusions, or gate burrs shall not exceed 0.15 mm, per side.

Figure 9.3 SOW16 Package Shape and Dimension in millimeters

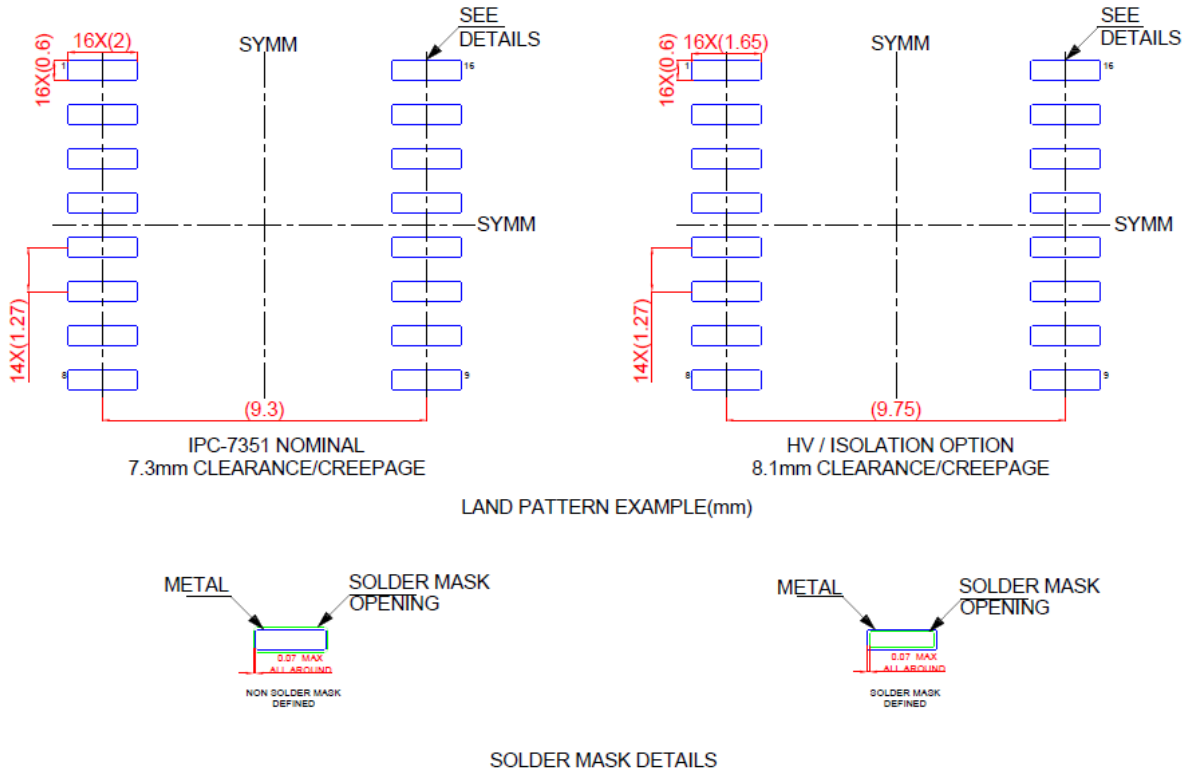


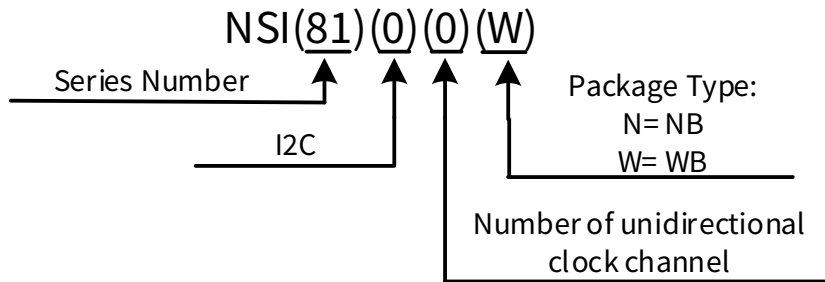
Figure 9.4 SOW16 Package Board Layout Example

10. Order Information

Part No.	Isolation Rating(kV)	Number of side 1 inputs	Number of side 2 inputs	Max Clock Rate (MHz)	Operating Temperature	MSL	Automotive	Package	SPQ
NSI8100N	3.75	2	2	2	-40 to 125°C	1	NO	SOP8	2500
NSI8100W	5	2	2	2	-40 to 125°C	2	NO	SOW16	1000

NOTE: All packages are RoHS-compliant with peak reflow temperatures of 260 °C according to the JEDEC industry standard classifications and peak solder temperatures.

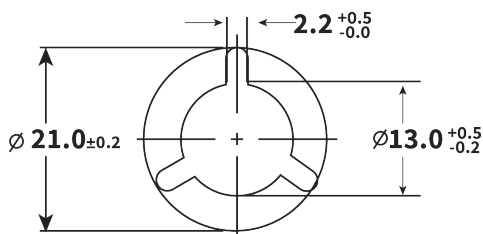
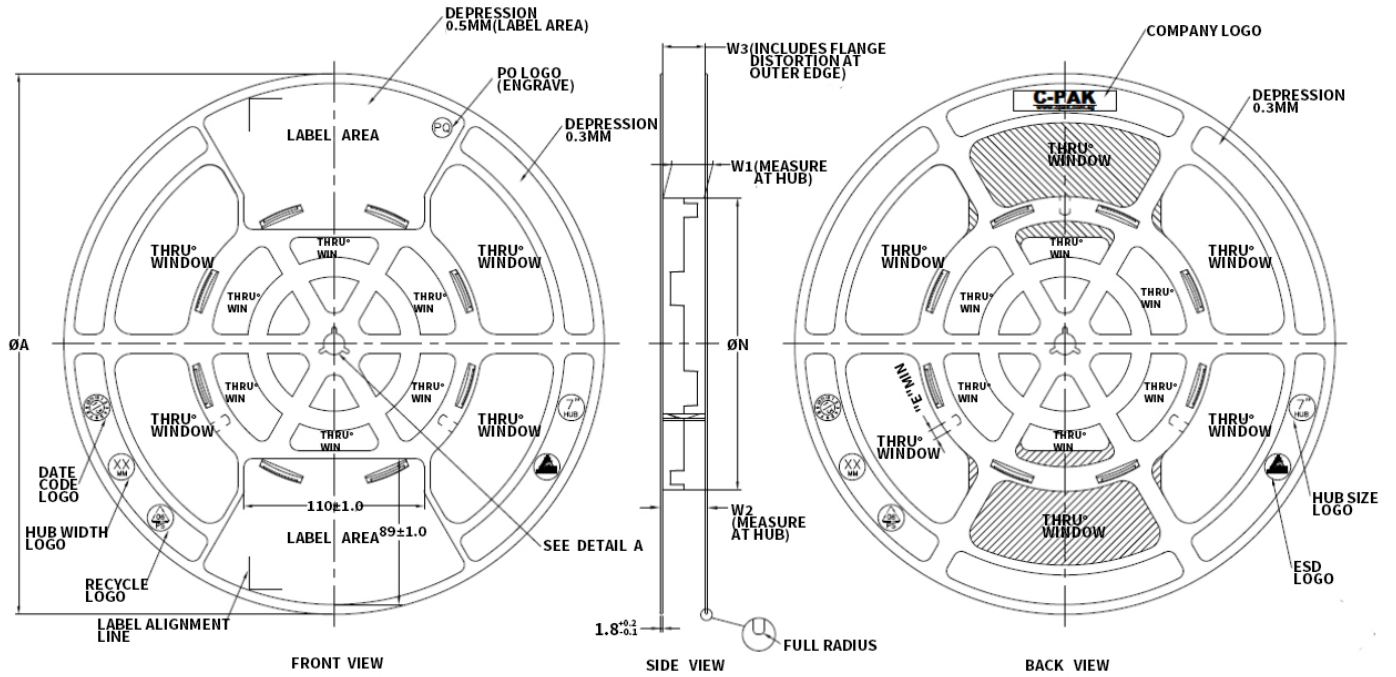
Part Number Rule:



11. Documentation Support

Part Number	Product Folder	Datasheet	Technical Documents	Isolator selection guide
NSI8100	tbd	tbd	tbd	tbd

12. Tape and Reel Information



**ARBOR HOLE
DETAIL A
SCALE: 3:1**

PRODUCT SPECIFICATION						
TAPE WIDTH	$\varnothing A \pm 2.0$	$\varnothing N \pm 2.0$	W1	W2 (Max)	W3	E (MIN)
08MM	330	178	$8.4^{+1.5}_{-0.0}$	14.4	SHALL ACCOMMODATE TAPE WIDTH WITHOUT INTERFERENCE	5.5
12MM	330	178	$12.4^{+2.0}_{-0.0}$	18.4		5.5
16MM	330	178	$16.4^{+2.0}_{-0.0}$	22.4		5.5
24MM	330	178	$24.4^{+2.0}_{-0.0}$	30.4		5.5
32MM	330	178	$32.4^{+2.0}_{-0.0}$	38.4		5.5

SURFACE RESISTIVITY			
LEGEND	SR RANGE	TYPE	COLOUR
A	BELOW 10^{12}	ANTISTATIC	ALL TYPES
B	10^6 TO 10^{11}	STATIC DISSIPATIVE	BLACK ONLY
C	10^5 & BELOW 10^5	CONDUCTIVE(GENERIC)	BLACK ONLY
E	10^9 TO 10^{11}	ANTISTATIC(COATED)	ALL TYPES

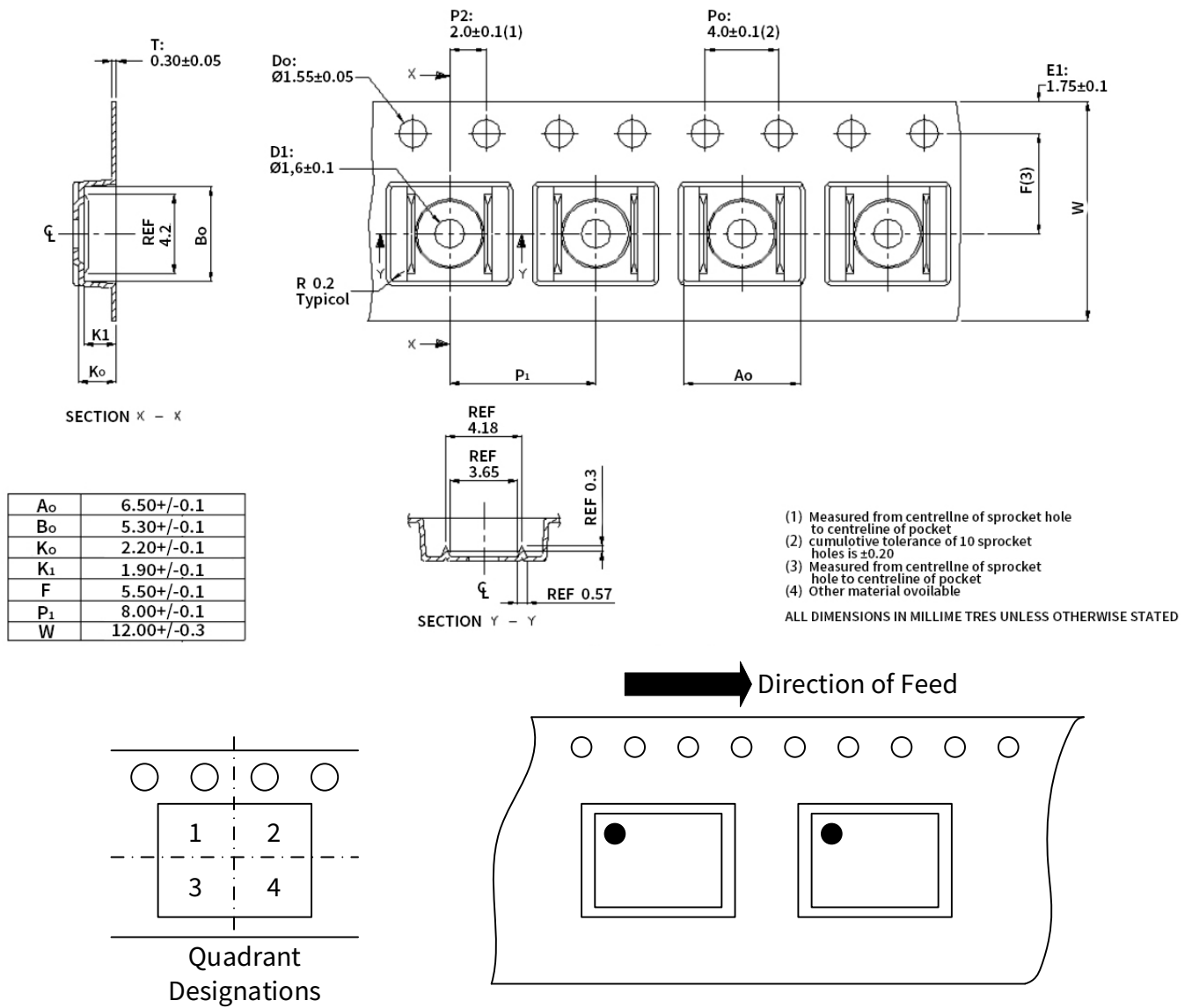
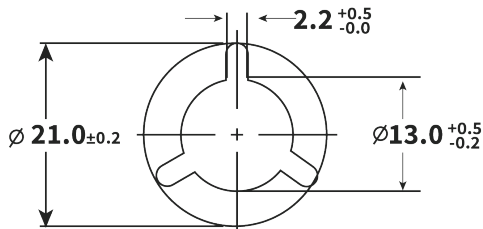
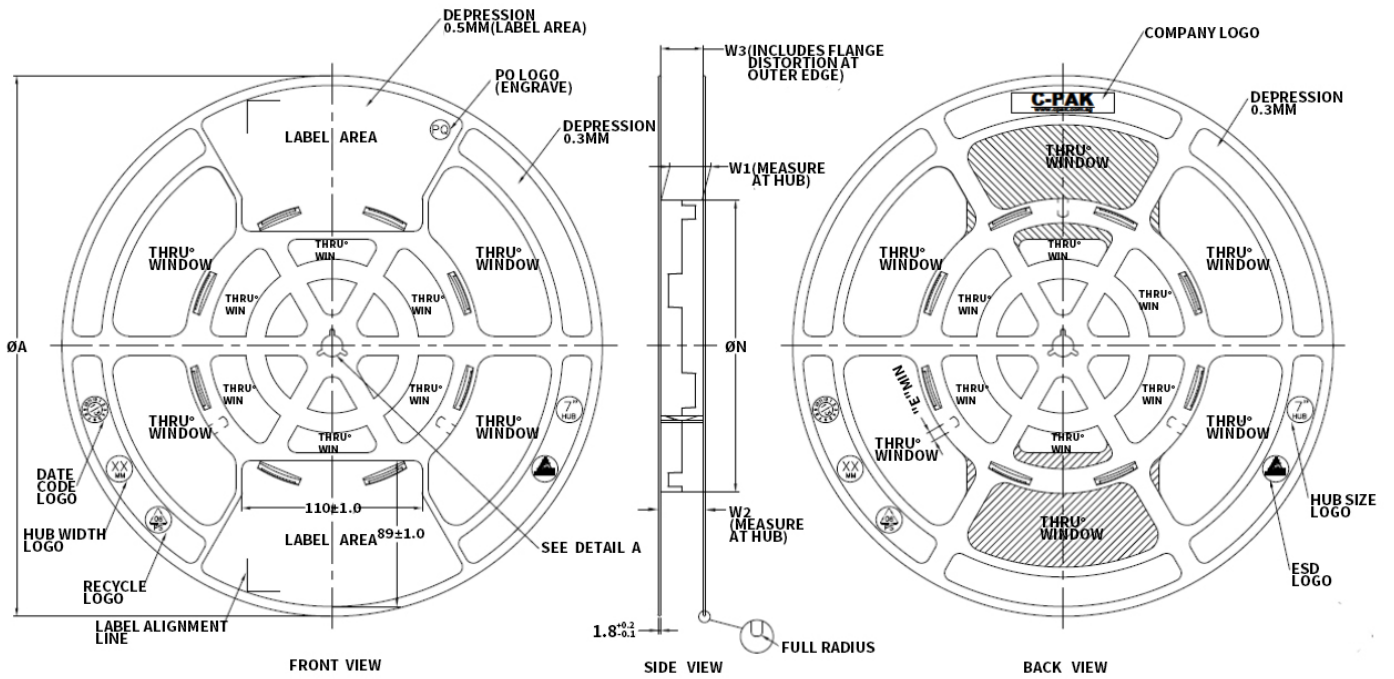


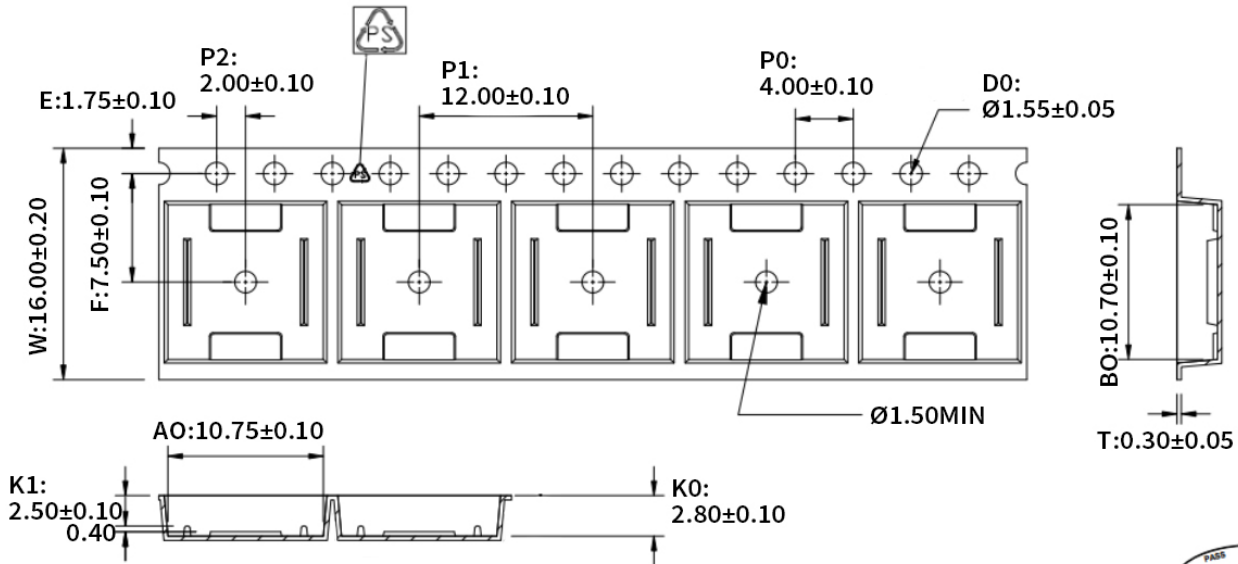
Figure 11.1 Tape and Reel Information of SOP8



**ARBOR HOLE
DETAIL A
SCALE: 3:1**

PRODUCT SPECIFICATION						
TAPE WIDTH	$\varnothing A \pm 2.0$	$\varnothing N \pm 2.0$	W1	W2 (Max)	W3	E (MIN)
08MM	330	178	$8.4^{+1.5}_{-0.0}$	14.4	SHALL ACCOMMODATE TAPE WIDTH WITHOUT INTERFERENCE	5.5
12MM	330	178	$12.4^{+2.0}_{-0.0}$	18.4		5.5
16MM	330	178	$16.4^{+2.0}_{-0.0}$	22.4		5.5
24MM	330	178	$24.4^{+2.0}_{-0.0}$	30.4		5.5
32MM	330	178	$32.4^{+2.0}_{-0.0}$	38.4		5.5

SURFACE RESISTIVITY			
LEGEND	SR RANGE	TYPE	COLOUR
A	BELOW 10^{12}	ANTISTATIC	ALL TYPES
B	10^6 TO 10^{11}	STATIC DISSIPATIVE	BLACK ONLY
C	10^5 & BELOW 10^5	CONDUCTIVE(GENERIC)	BLACK ONLY
E	10^9 TO 10^{11}	ANTISTATIC(COATED)	ALL TYPES



- 1.10 sprocket hole pitch cumulative tolerance ± 0.20 .
2. Carrier camber is within 1 mm in 250 mm.
3. Material : Black Conductive Polystyrene Alloy.
4. All dimensions meet EIA-481 requirements.
5. Thickness: 0.30 ± 0.05 mm.
6. Packing length per 22" reel: 378 Meters.(Rewind N=122)
7. Component load per 13" reel: 1000 pcs.
8. Surface resistivity: $10^5 \sim 10^{10} \Omega / \square$

W	16.00±0.20
A0	10.75±0.10
B0	10.70±0.10
K0	2.80±0.10
K1	2.50±0.10

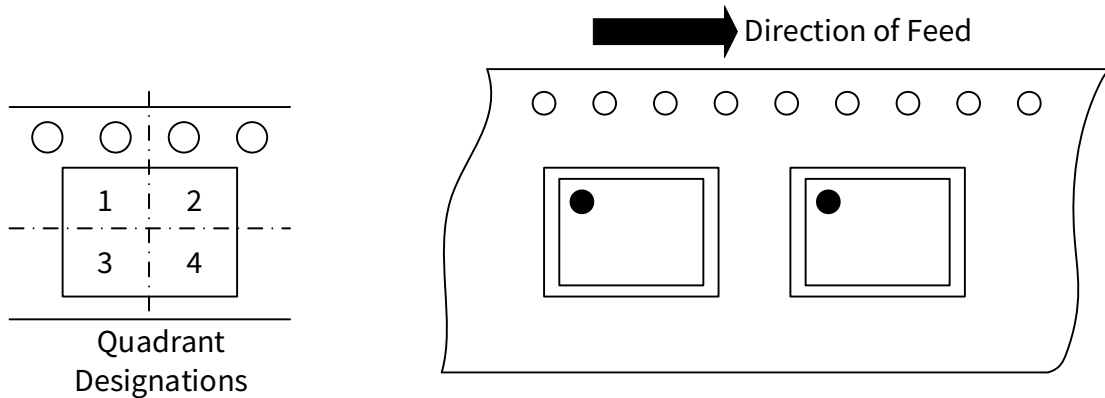


Figure 11.2 Tape and Reel Information of SOW16

13. Revision History

Revision	Description	Date
1.0	Original	2017/11/15
1.1	Change to Ordering information	2018/3/26
1.2	Add maximum operation current specification.	2018/6/20
1.3	Change block diagram	2018/7/28
1.4	Change "Start Up Time after POR" specification to 40us	2018/8/25
1.5	Add "Maximum Input Pulse Voltage"	2018/10/9
1.6	Change to Ordering information	2018/12/20
1.7	Change Certification Information, Add "SDA, SCL logic low leakage"	2019/11/15
1.8	Add Recommended operating conditions	2020/2/27
1.9	Update format	2021/2/25
2.0	Changed MSL	2021/3/29
2.1	Change Tape and Reel Information of SOW16	2021/5/24
2.2	Corrected NSI8100W MSL to 2	2021/6/28
2.3	Change Storage Temperature, Device Information, VIH2/VIL2, V _{ILT} comments, Part number. Delete NSI8101. Update Insulation and Safety Related Specifications, add Junction Temperature, update Insulation and Safety Related Specifications part, add Safety-Limiting Values part	2022/9/7
2.4	Corrected body size. Update Regulatory Information CQC	2023/3/31
2.5	Corrected VIH2/VIL2 and input leakage. Update package land pattern. Correct formatting and images. Update Safety certification info throughout the document.	2024/12/17

IMPORTANT NOTICE

The information given in this document shall in no event be regarded as any warranty or authorization of, express or implied, including but not limited to accuracy, completeness, merchantability, fitness for a particular purpose or infringement of any third party's intellectual property rights.

You are solely responsible for your use of Novosense' products and applications, and for the safety thereof. You shall comply with all laws, regulations and requirements related to Novosense's products and applications, although information or support related to any application may still be provided by Novosense.

The resources are intended only for skilled developers designing with Novosense' products. Novosense reserves the rights to make corrections, modifications, enhancements, improvements or other changes to the products and services provided. Novosense authorizes you to use these resources exclusively for the development of relevant applications designed to integrate Novosense's products. Using these resources for any other purpose, or any unauthorized reproduction or display of these resources is strictly prohibited. Novosense shall not be liable for any claims, damages, costs, losses or liabilities arising out of the use of these resources.

For further information on applications, products and technologies, please contact Novosense (www.novosns.com).

Suzhou Novosense Microelectronics Co., Ltd